

## MANTA RAY MR48 CC | THRU HULL

*Signature*  
SERIES



MANTA RAY MR48 CC offers formidable performance with the added security of a thru-hull stem fitting.

RGBW Colour Change model offers almost endless colour combinations, WIFI DMX functionality, strobe, dimming and unique sound to light feature.

Machined from Billet AB2 Marine grade Bronze.

Suitable for Transom mounting on all hull types.

External driver (with interlink cable supplied) in driver technology with active thermal rollback.

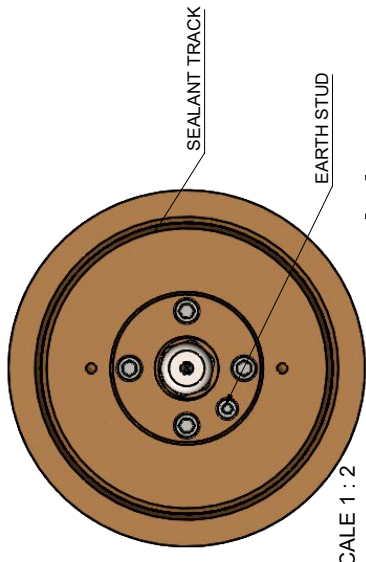
- RINA Type approval
- 2-Year Warranty

SPECIFICATION	MANTA RAY MR48 CC COLOUR CHANGE
Mounting Type	Thru Hull
Hole cut out size	30mm
Maximum Lamp Lumens	43000
Fixture Lumens	16000
Max Wattage	155 Watts
Typical Life Expectancy	50,000 Hours
Voltage	24v
Power Draw	6.5 amps
Protection	Over / Under Voltage, Over Current, Reverse Polarity protection, Thermal protection.
Fixture Profile	32mm
Fixture Diameter	140mm
Lens Type	Optical grade 8mm Borosilicate glass with Guard X coating
Fixture Material	AB2 Bronze
Beam Angle	65 Degree FWHM
Warranty	2 year
Type Approval	RINA IEC 60529
Available Colours	RGBW Colour change
Features	Endless colours, cycling, strobe, dimmer or sound to light
Suitable Use	Below the water-line only
Spacing	1.2 - 2mtr
Driver Type	External IP67 Plug and play remote box with DMX/WIFI control Must purchase the WIFI/DMX Controller for functions
Total weight	4.1 kg
Attached cable length	2 mtr Plug & play
Included in box	In-line fuse holder & rated fuse, Gel connector, Inline Crimps, Heat shrink, Fixing Screws, Template and installation instructions
<b>ACCESSORIES</b>	<b>(OPTIONAL)</b>
Junction Box	4 Way IP68 Wiring Junction Box
Delrin Sleeve	Isolating kit for steel, aluminium and carbon fibre hulls
220/110v Power Supply	Power supply 24v
WIFI/DMX Controller	DMX controller with built in WIFI and phone/tablet app download
I.Y.S Lighting Control	Control via MFD screen or mobile device



1 2 3 4 5 6 7 8

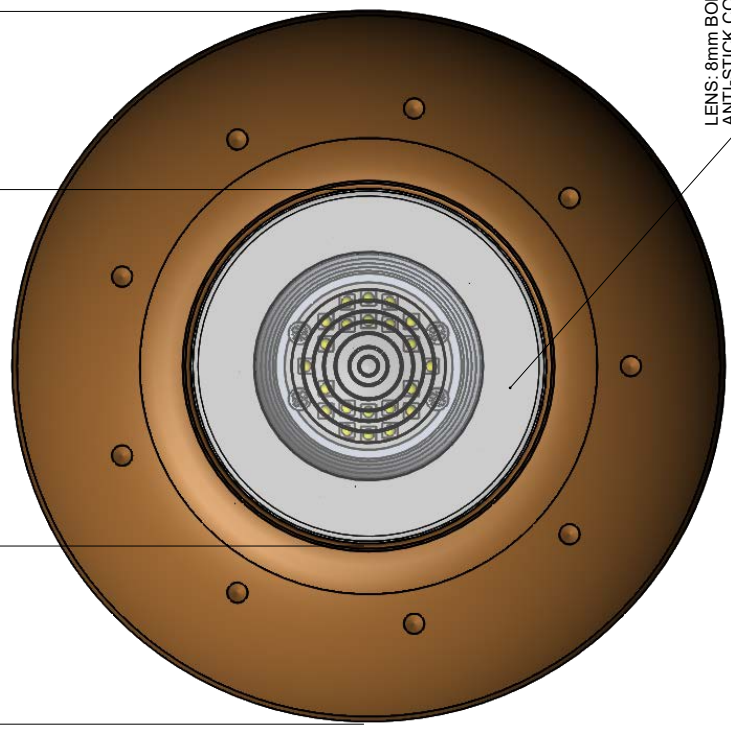
A B C D E F G H I J K



SCALE 1:2

Ø140.0

Ø70.0

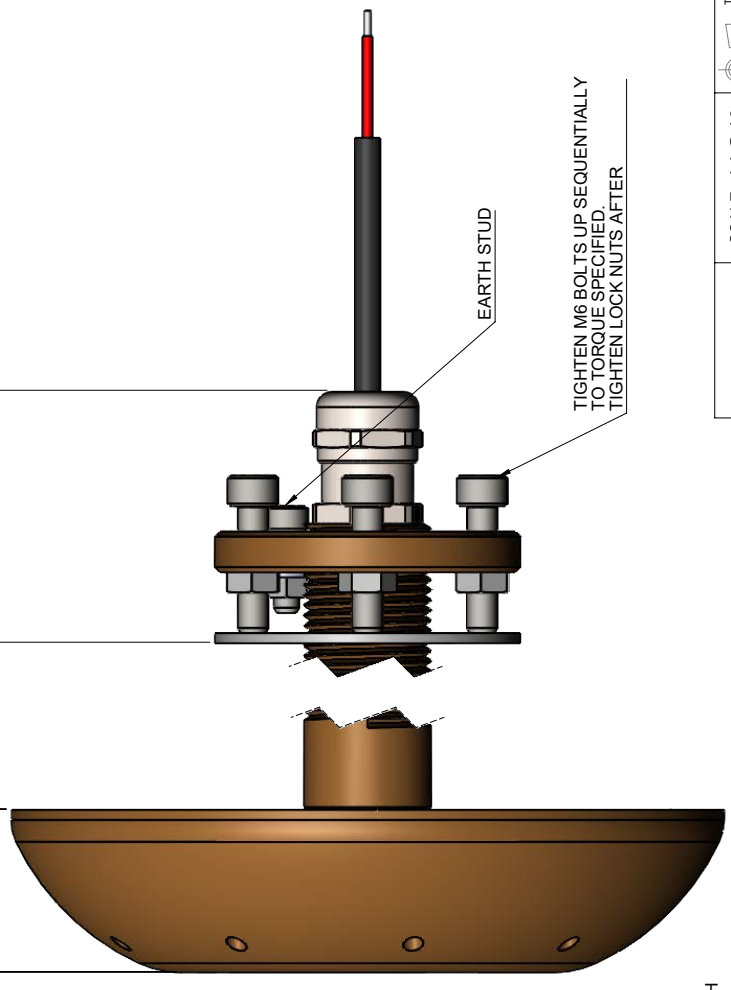


SPECIFICATIONS	
FIXTURE LUMENS	MANTA RAY M20 16000
WATTAGE (MAX)	122
No. OF LEDs	20
I @ 12V	N/A
I @ 24V	5.1
BEAM ANGLE	65 DEG FWHM
LIGHT DIA	140mm (5.5')
LIGHT LENGTH	208.5mm (8.21')
LIGHT HEAD HEIGHT	32mm (1.26')
MOUNTING HOLES PCD	N/A
HULL CUTOUT DIA	30mm (1.18")
LIGHT APERTURE	70mm (2.76")
WEIGHT	3.3kg
LENS	8mm BOROSILICATE WITH ANTI-STICK COATING 8mm BOROSILICATE WITH ANTI-STICK COATING
	4.1kg

171.5

[90.0] MAX HULL THICKNESS

32.0



SCALE: 1:1 @ A3



DESCRIPTION: MANTA RAY MR20 / MR48CC THRU HULL

MATERIAL: MARINE AB2 BRONZE & GLASS LENS

FINISH: SEE PART DRAWINGS

DRAWING No: **GAA-0141 Iss B00C**

ISSUE/ REV: **B00 C**

STATUS:

**Bluefin LED**  
Underwater Lighting

THIS DRAWING IS THE PROPERTY OF BLUEFIN LED LIGHTING. IT IS TO BE USED ONLY FOR THE PROJECT AND VEHICLE OR VEHICLE PART AND MUST NOT BE REPRODUCED, COPIED, EITHER WHOLLY OR IN PART, OR DISCLOSED WITHOUT THE WRITTEN AUTHORIZATION OF BLUEFIN LED. NO DEVIATION FROM THIS DRAWING IS PERMISSIBLE WITHOUT WRITTEN AUTHORIZATION FROM BLUEFIN LED.