

SY ELITE SY48 CC & SY48 SC | THRU HULL

SUPERYACHT ELITE
— SERIES —



The Elite Series SY48 Thru-Hull produces up to 26000 fixture lumens.

Formidable performance with the added security of a thru-hull stem fitting.

Available in Single Colour or RGBW Colour Change model with full WIFI DMX compatibility.

RGBW Colour Change model can be controlled via our dedicated touchpad controller or via a 3rd party device such as i phone, android or tablet, alternatively the lights can be integrated into the yachts existing control system.

Delrin isolation sleeve must be used on Steel, Aluminium or Carbon composite hulls.

- RINA Type approval
- 2-Year Warranty

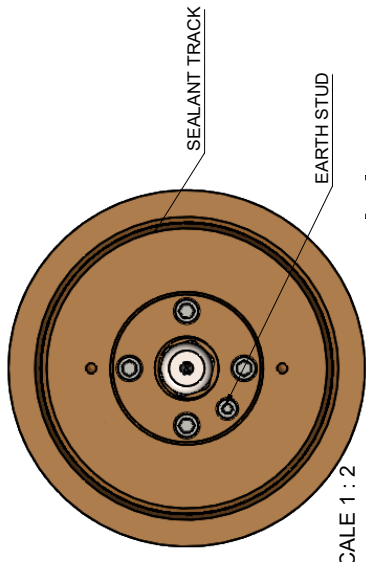
SPECIFICATION	SUPERYACHT ELITE SY48 CC & SY48 SC
Mounting Type	Thru-Hull
Hole cut out size	25mm/1" entry hole
Maximum Lamp Lumens	37500
Fixture Lumens	16000 CC & up to 26000 SC
Max Wattage	255 Watts
Typical Life Expectancy	50,000 Hours
Voltage	110-240V
Power Draw	2.3 Amp @110Vac 1.1Amp @240Vac
Protection	Over/under voltage, reverse polarity, active thermal rollback protection
Fixture Profile	32mm
Fixture Diameter	140mm
Fixture Length	208.5mm
Lens Type	12mm BOROSILICATE WITH ANTI-STICK COATING
Fixture Material	AB2 Bronze throughout
Beam Angle	65 Degree FWHM
Warranty	2 year
Type Approval	RINA IEC 60529
Available Colours	Diamond White 6500k , Cobalt Blue, RGBW
Features	Endless colours, cycling, strobe, dimmer or sound to light
Suitable Use	Below the water-line only
Spacing	1.2 - 2mtr
Driver Type	External IP67 Plug and play remote box with DMX/WIFI control Must purchase the WIFI/DMX Controller for functions
Total weight	2.7kg/5.94lbs
Attached cable length	2 mtr Plug & play
Included in box	In-line fuse holder & rated fuse, Gel connector, Inline Crimps, Heat shrink, Fixing Screws, Template and installation instructions
ACCESSORIES	(OPTIONAL)
Delrin Isolation Sleeve Kit	Must be used if fitting lights to Aluminium/Steel or Carbon hulls.
WIFI/DMX Controller	DMX controller with built in WIFI and phone/tablet app download
I.Y.S Lighting Control	Control via MFD screen or mobile device

SC = SINGLE COLOUR CC = COLOUR CHANGE

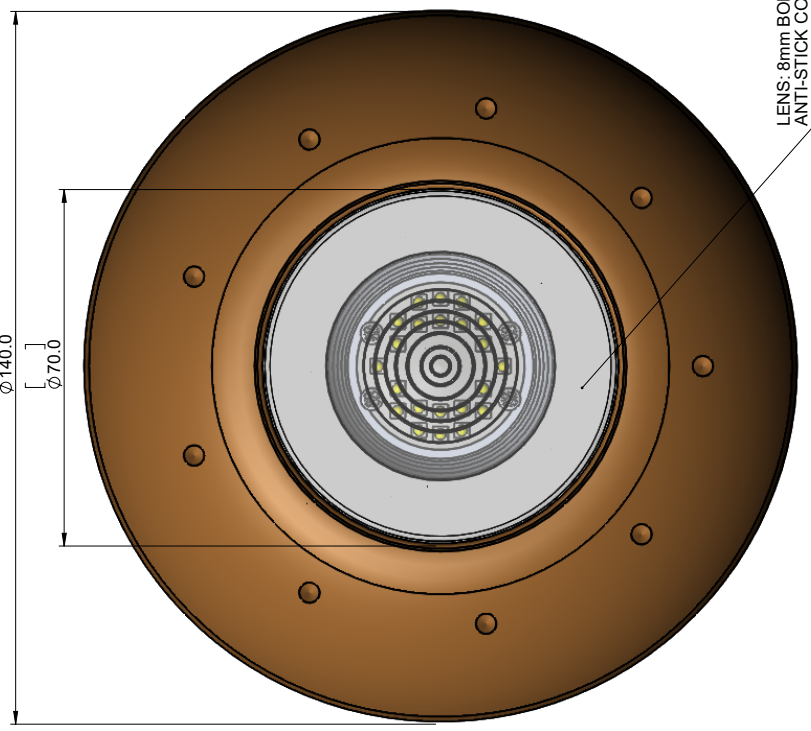


1 2 3 4 5 6 7 8

A B C D E F G H I J K

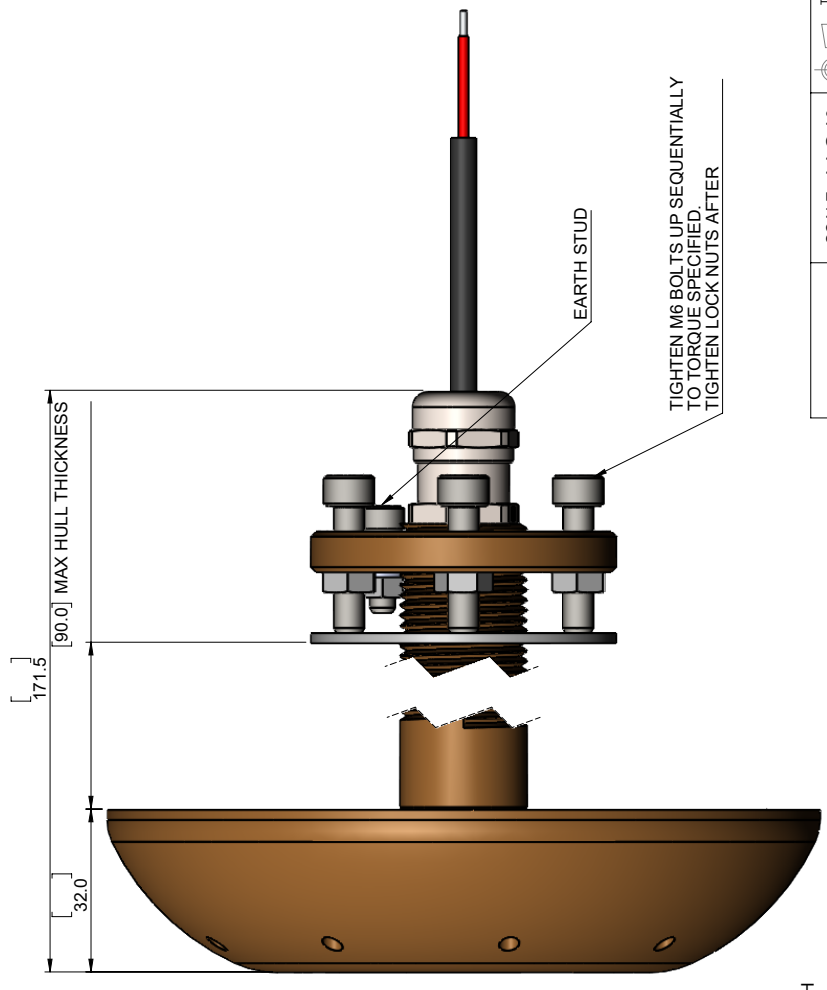


SCALE 1:2



LENS: 8mm BOROSILICATE WITH ANTI-STICK COATING

SPECIFICATIONS	
FIXTURE LUMENS	SY ELITE SY48 SC
WATTAGE (MAX)	26000
No. OF LEDS	255
I @ 110Vac	48
I @ 240V	2.3A
BEAM ANGLE	1.1
LIGHT DIA	65 DEG FWHM
LIGHT LENGTH	140mm (5.5')
LIGHT HEAD HEIGHT	208.5mm (8.21')
MOUNTING HOLES PCD	32mm (1.26")
HULL CUTOUT DIA	N/A
LIGHT APERTURE	25mm (1")
WEIGHT	70mm (2.76")
LENS	2.7kg/5.94lbs
	8mm BOROSILICATE WITH ANTI-STICK COATING
	8mm BOROSILICATE WITH ANTI-STICK COATING



EARTH STUD

TIGHTEN M6 BOLTS UP SEQUENTIALLY TO TORQUE SPECIFIED. TIGHTEN LOCK NUTS AFTER

SCALE: 1:1 @ A3
THIRD ANGLE PROJECTION

DESCRIPTION:	SY ELITE SY48 / SY48CC THRU HULL
MATERIAL:	MARINE AB2 BRONZE & GLASS LENS
FINISH:	SEE PART DRAWINGS
DRAWING No:	GAA-0141 Iss B00C
ISSUE/ REV:	STATUS:
	B00 C

Bluefin LED
Underwater Lighting

THIS DRAWING IS THE PROPERTY OF BLUEFIN LED. IT IS TO BE USED ONLY FOR THE PURPOSES SPECIFIED IN THIS DRAWING. IT IS NOT TO BE REPRODUCED, COPIED, OR TRANSMITTED IN ANY FORM OR BY ANY MEANS, WITHOUT THE WRITTEN AUTHORIZATION OF BLUEFIN LED. NO DEVIATION FROM THIS DRAWING IS PERMISSIBLE WITHOUT WRITTEN AUTHORIZATION FROM BLUEFIN LED.



© 2014. SY48-CC-DMXDRV MUST NOT BE REPRODUCED IN WHOLE OR IN PART AND MUST NOT BE USED OR DISCLOSED WITHOUT THE WRITTEN AUTHORIZATION OF COASTLINE LED. NO DEVIATION FROM THIS DRAWING IS PERMISSIBLE WITHOUT WRITTEN AUTHORIZATION FROM COASTLINE LED.