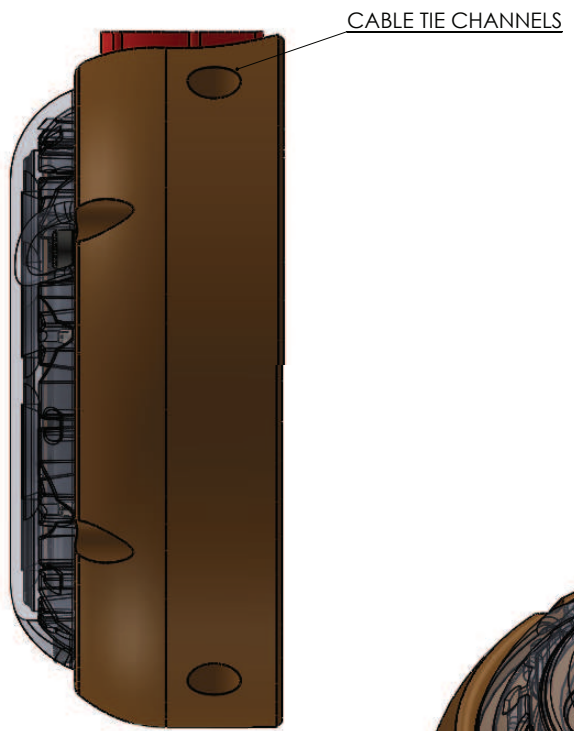
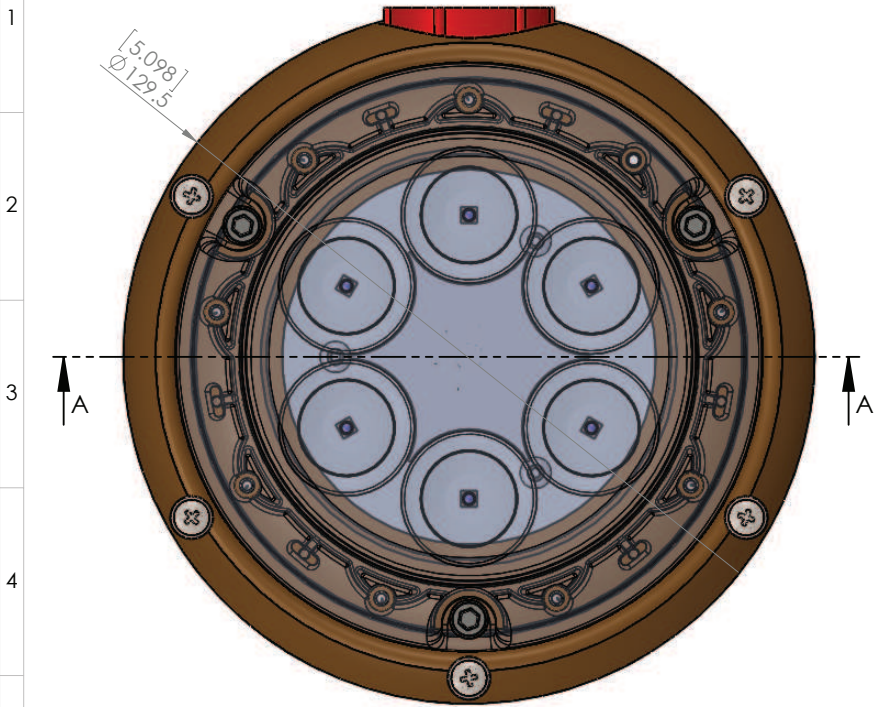
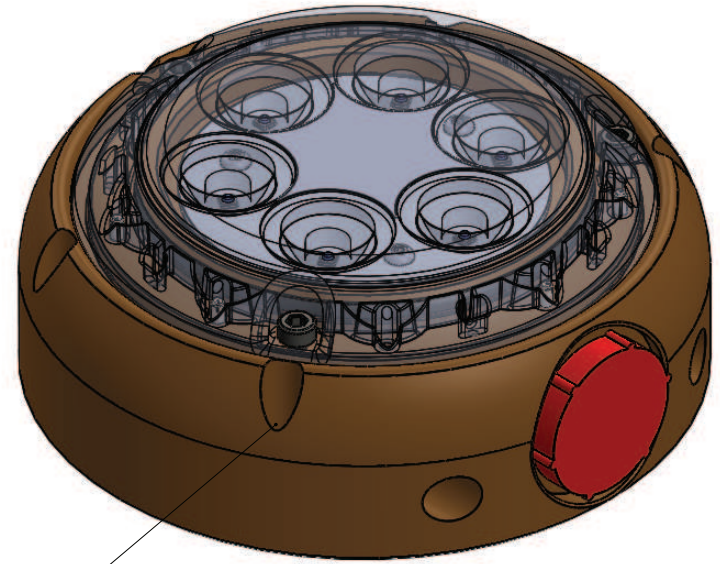
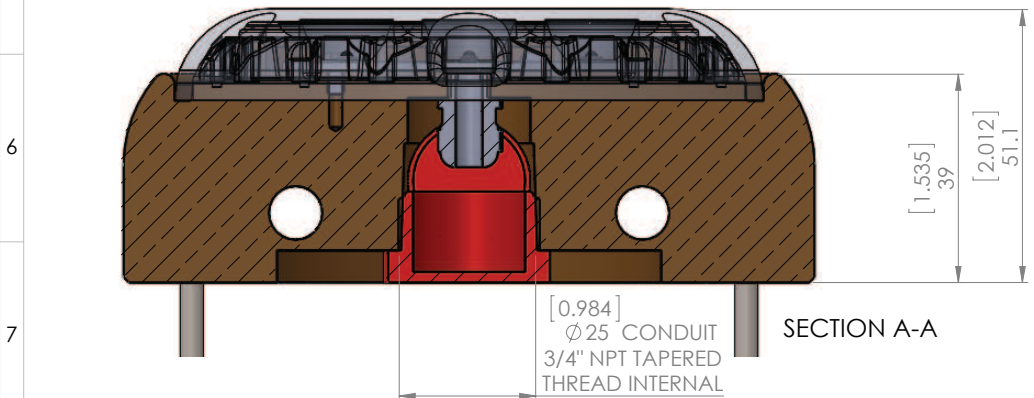


A B C D E F G H I J K



LUMENS	2700
MAX WATTAGE	32 NOM
NO. OF LEDs	6
I @ 12V	N/A
I @ 24V	1.5
BEAM ANGLE	60 Deg FWHM
LIGHT DIA	129.5mm (5.098")
LIGHT HEAD HEIGHT	51.1mm (2.012")
MOUNT HOLE PCD	120mm (4.72")
LIGHT APERTURE	70mm (2.76")
LENS	3mm HIGH IMPACT POLYMER WITH ANTI STICK COATING



M5 MOUNTING BOLTS
120mm PCD

THIRD ANGLE PROJECTION Sheet. 1 of 2 Scale. 1:1 A3

© 2014 COASTLINE LED THIS DOCUMENT MUST NOT BE REPRODUCED IN WHOLE OR IN PART AND MUST NOT BE USED OR DISCLOSED WITHOUT THE WRITTEN AUTHORIZATION OF COASTLINE LED. NO DEVIATION FROM THIS DRAWING IS PERMISSIBLE WITHOUT WRITTEN AUTHORIZATION FROM COASTLINE LED.

ALL DIMENSIONS ARE IN MILLIMETERS
TOLERANCES ON CASTINGS, UNMACHINED PARTS AND FABRICATIONS, +/- 0.8
TOLERANCES ON MACHINED DIMENSIONS
WHOLE UNITS +/- 0.25
ONE DEC. PLACE +/- 0.1
TWO DEC. PLACE +/- 0.05
ANGLES +/- 0.5 DEG.
ALL UNSPECIFIED CHAMFERS 1 x 45
BREAK ALL SHARP EDGES 0.1 TO 0.5

Iss	Rev	Status	Date	Change	Drawn	Chk'd	App'd	Notes.
C00	A	REL	05/10/2015		DWL	DWL	DWL	
C00	B	REL	05/10/2015		DWL	DWL	DWL	
C00	C	REL	11/10/2015		DWL	DWL	DWL	

PPN.

Description.	Iss.	Rev.	Status.
Material.	C00	C	RELEASED
Finish.			
DWG No.	GAA-0110 Iss C00C		