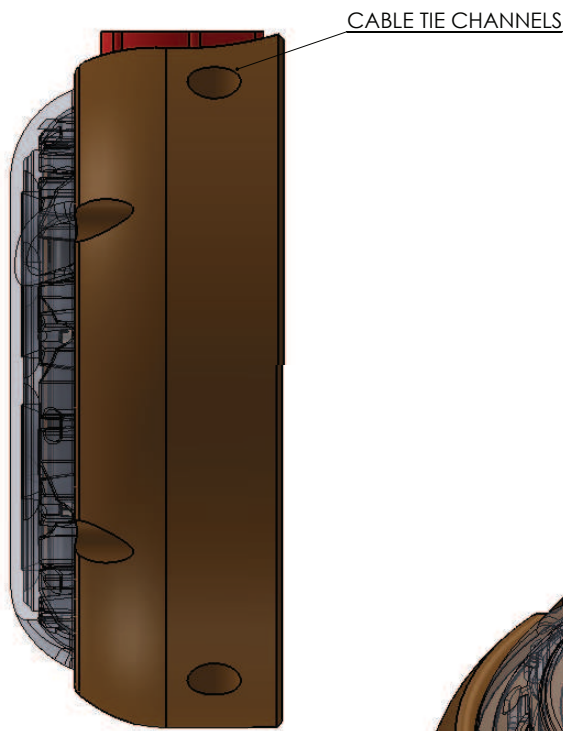
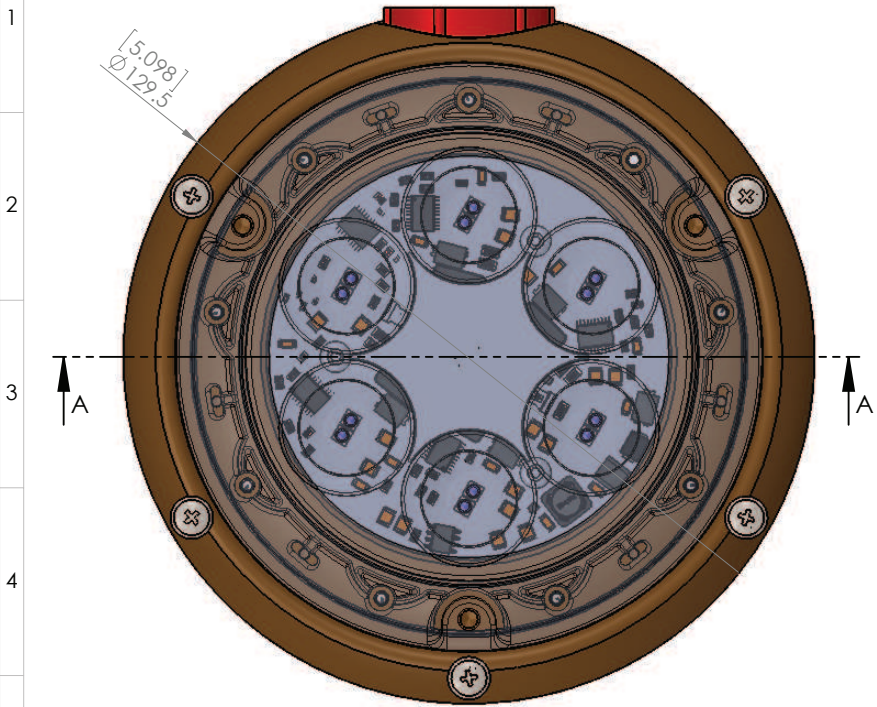
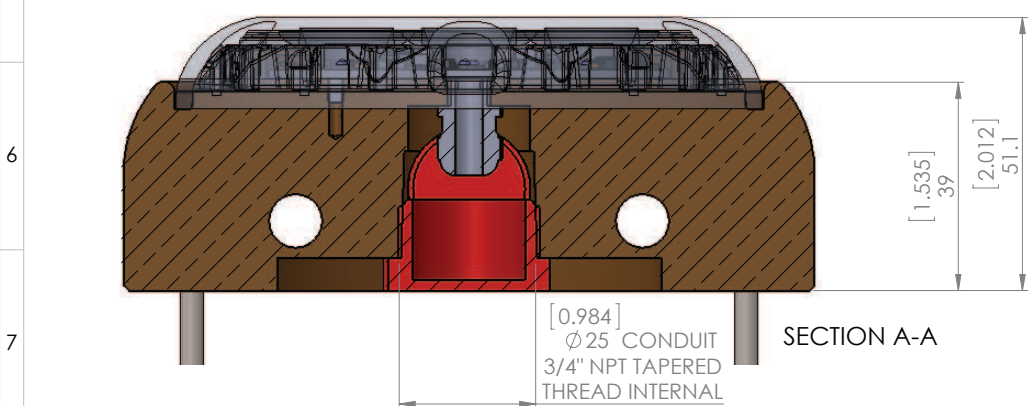


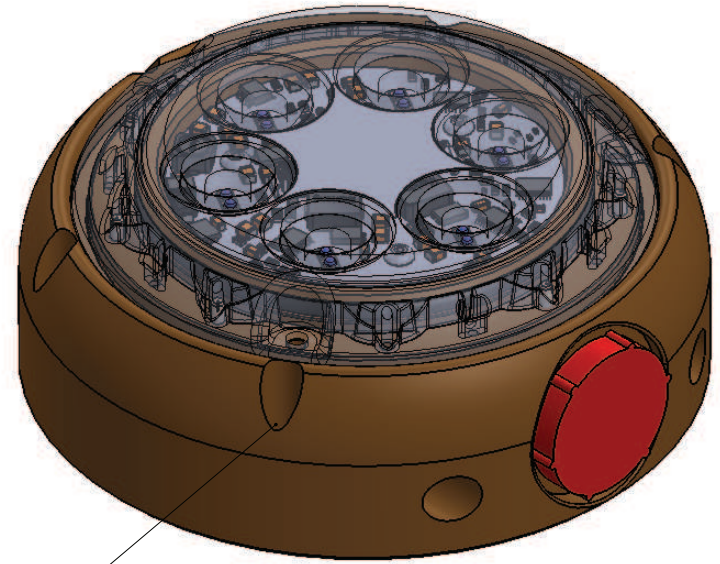
A B C D E F G H I J K



| | |
|-------------------|---|
| LUMENS | 5400 |
| MAX WATTAGE | 55 |
| NO. OF LEDs | 12 |
| I @ 12V | N/A |
| I @ 24V | 2.35 |
| BEAM ANGLE | 60 Deg FWHM |
| LIGHT DIA | 129.5mm (5.098") |
| LIGHT HEAD HEIGHT | 51.1mm (2.012") |
| MOUNT HOLE PCD | 120mm (4.72") |
| LIGHT APERTURE | 70mm (2.76") |
| LENS | 3mm HIGH IMPACT POLYMER WITH ANTI STICK COATING |



M5 MOUNTING BOLTS
120mm PCD



THIRD ANGLE PROJECTION Sheet 1 of 2 Scale 1:1 A3

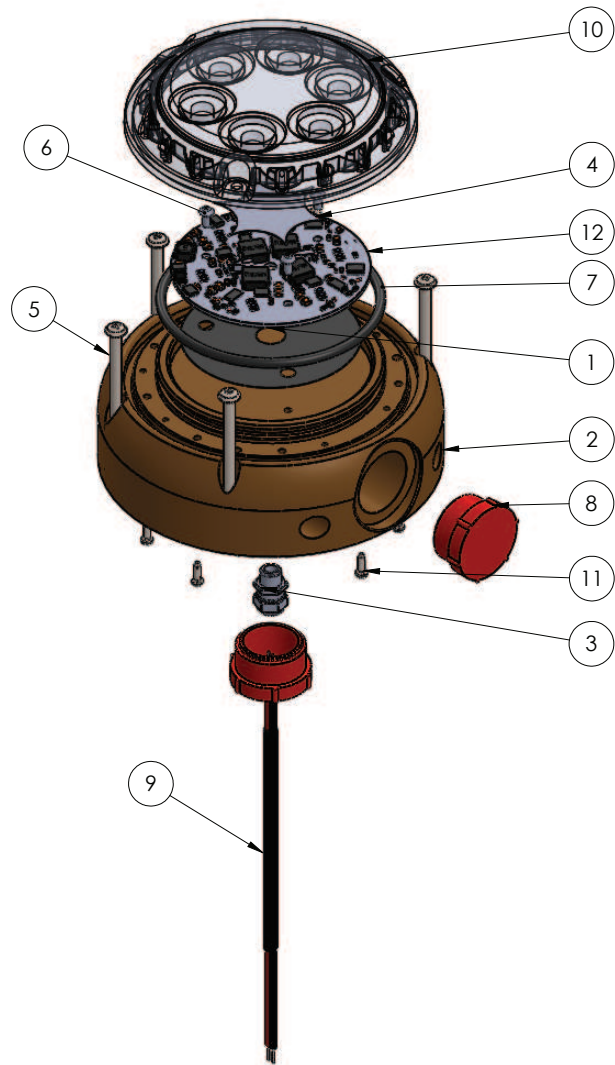
© 2014 COASTLINE LED THIS DOCUMENT MUST NOT BE REPRODUCED IN WHOLE OR IN PART AND MUST NOT BE USED OR DISCLOSED WITHOUT THE WRITTEN AUTHORIZATION OF COASTLINE LED. NO DEVIATION FROM THIS DRAWING IS PERMISSIBLE WITHOUT WRITTEN AUTHORIZATION FROM COASTLINE LED.

ALL DIMENSIONS ARE IN MILLIMETERS
TOLERANCES ON CASTINGS, UNMACHINED PARTS AND FABRICATIONS, +/- 0.8
TOLERANCES ON MACHINED DIMENSIONS
WHOLE UNITS +/- 0.25
ONE DEC. PLACE +/- 0.1
TWO DEC. PLACE +/- 0.05
ANGLES +/- 0.5 DEG.
ALL UNSPECIFIED CHAMFERS 1 x 45
BREAK ALL SHARP EDGES 0.1 TO 0.5

| Iss | Rev | Status | Date | Change | Drawn | Chk'd | App'd | Notes. |
|-----|-----|--------|------------|--------|-------|-------|-------|--------|
| A00 | A | REL | 05/10/2015 | | DWL | DWL | DWL | |
| A00 | B | REL | 11/10/2015 | | DWL | DWL | DWL | |

| | | | |
|-------------------------|------|------|----------|
| Description. | | | |
| PIRANHA DL12 DOCK LIGHT | | | |
| Material. | | | |
| Finish. | | | |
| DWG No. | Iss. | Rev. | Status. |
| GAA-0124 Iss A00B | A00 | B | RELEASED |

PPN.



| ITEM NO. | PART NUMBER | PPN | DESCRIPTION | Default/QTY. |
|----------|-------------------------------------|-----|--|--------------|
| 1 | PRT-0101-005 Iss A00 | | P6 HEAT TRANSFER PAD | 1 |
| 2 | PRT-0110-005 Iss 03 | | P6 DOCKLIGHT BASE | 1 |
| 3 | M8 IP68 CABLE GLAND | | SKINDICHT® MINI M8 CABLE GLAND | 1 |
| 4 | PRT-0101-006 Iss B00 | | P6 PRODUCT LABEL | 1 |
| 5 | No8-Screw x 50mm | | | 5 |
| 6 | ISO 7380 M3 BUTTON HEAD Screw - BZP | | ISO 7380 M3x6mm SH BUTTON - BZP | 3 |
| 7 | O-RING 50-235 | | O-RING BS235 SILICON SHORE 60 - NATURAL | 1 |
| 8 | THREADED PROTECTION PLUG | | 3/4" x 14 THREADED PROTECTION PLUG ESSENTRA P/N: 10731 | 2 |
| 9 | GAA-0108 Iss A00 | | 2 x 24/0.2MM 5.00mm CABLE - 2m LENGTH (CABLE TIED) | 1 |
| 10 | PRT-0101-001 Iss C00 | | P6 MAIN MOULDING | 1 |
| 11 | PHT 2.5-type I-D-8-N -A4 S/S | | 2.5mm x 8mm PAN HEAD PT SCREW - 30 Deg | 8 |
| 12 | SAA-0117 Iss A00 | | P6 COLOUR CHANGE PCB | 1 |



ALL DIMENSIONS ARE IN MILLIMETERS
 TOLERANCES ON CASTINGS, UNMACHINED PARTS AND FABRICATIONS, +/- 0.8
 TOLERANCES ON MACHINED DIMENSIONS
 WHOLE UNITS +/- 0.25
 ONE DEC. PLACE +/- 0.1
 TWO DEC. PLACE +/- 0.05
 ANGLES +/- 0.5 DEG.

| Iss | Rev | Status | Date | Change | Drawn | Chk'd | Appv'd |
|-----|-----|------------|------|--------|-------|-------|--------|
| - | - | See Sheet1 | - | - | - | - | - |

ALL UNSPECIFIED CHAMFERS 1 x 45
 BREAK ALL SHARP EDGES 0.1 TO 0.5

Notes.

THIRD ANGLE PROJECTION
 Sheet. 2 of 2
 Scale. 1:2
 A3

| | | | |
|--------------------------|------------|----------|-----------------|
| Description. | | | |
| Material. | | | |
| Finish. | | | |
| DWG No. | Iss. | Rev. | Status. |
| GAA-0124 Iss A00B | A00 | B | RELEASED |