

ORCA OR20 | SURFACE MOUNT

Signature
 SERIES



ORCA OR20 is the most powerful surface mounted Underwater LED light available.

2 models to choose from, Single colour or RGBW Colour Change model with WIFI DMX functionality or control with our I.Y.S Control system* for MFD/Mobile devices.

Machined from Billet AB2 Marine grade Bronze.

Suitable for Transom mounting on all hull types.

Built in driver technology with active thermal rollback.

12V version also available with 7000 fixture lumens (price on application).

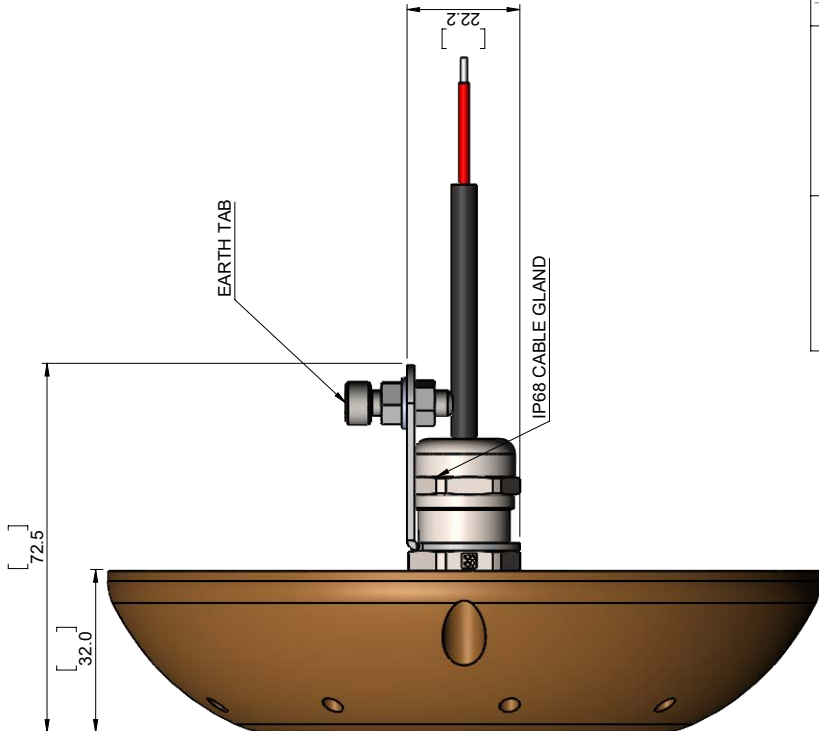
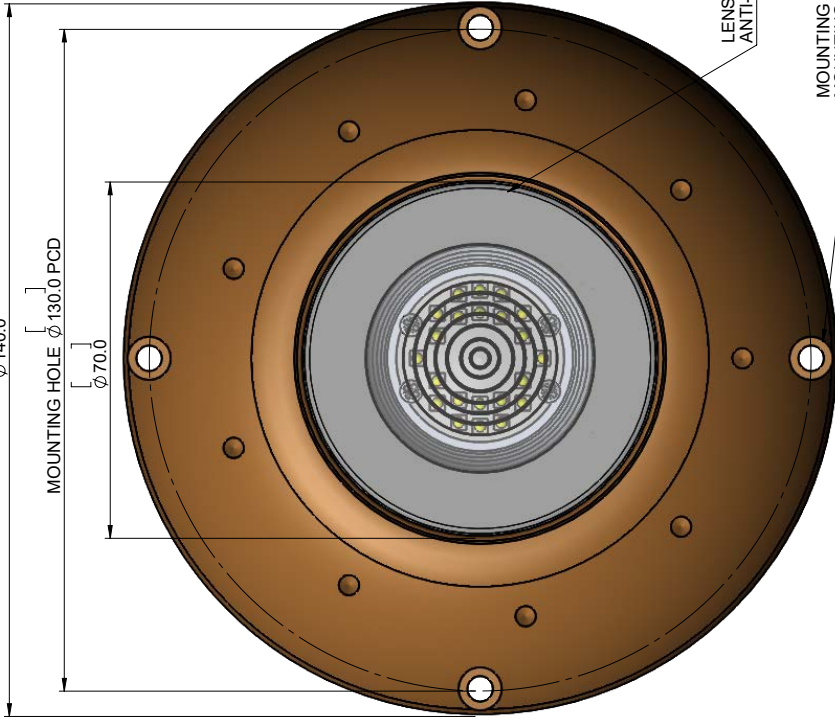
- RINA Type approval
- 2-Year Warranty

SPECIFICATION	ORCA OR20 SINGLE COLOUR
Mounting Type	Surface
Hole cut out size	22mm
Maximum Lamp Lumens	16,000
Fixture Lumens	14,600
Max Wattage	122 Watts
Typical Life Expectancy	50,000 Hours
Voltage	24v
Power Draw	5.1 amps
Protection	Over / Under Voltage, Over Current, Reverse Polarity protection, Active thermal protection.
Fixture Profile	32mm
Fixture Diameter	140mm
Lens Type	Optical grade 8mm Borosilicate glass with Guard X coating
Fixture Material	AB2 Bronze
Beam Angle	65 Degree FWHM
Warranty	2 year
Type Approval	RINA IEC 60529
Available Colours	Diamond White 6500k Cobalt Blue
Suitable Use	Below the water-line only
Spacing	1.2 - 2mtr
Driver Type	Integral
Total weight	2.3kg
Attached cable length	1.8mtr Over-moulded
Included in box	In-line fuse holder & rated fuse, Gel connector, Inline Crimps, Heat shrink, Fixing Screws, Template and installation instructions
ACCESSORIES	(OPTIONAL)
Junction Box	4 Way IP68 Wiring Junction Box
Delrin Sleeve	Isolating kit for steel, aluminium and carbon fibre hulls
220/110v Power Supply	Power supply 24v for up to 5 lights
BL-Switch	Panel mount illuminated switch & wiring loom
I.Y.S Lighting Control	Control via MFD screen or mobile device



A B C D E F G H I J K

SPECIFICATIONS	
FIXTURE LUMENS	ORCA O20 SC
WATTAGE (MAX)	14600
No. OF LEDs	122
V @ 12V	20
V @ 24V	N/A
BEAM ANGLE	5.1
LIGHT DIA	65 DEG FWHM
LIGHT LENGTH	140mm (5.5")
LIGHT HEAD HEIGHT	72.5mm (2.85")
MOUNTING HOLES PCD	32mm (1.26")
HULL CUTOUT DIA	130mm (5.12")
LIGHT APERTURE	30mm (1.18")
WEIGHT	70mm (2.76")
LENS	2.3kg
	8mm BOROSILICATE WITH ANTI-STICK COATING
	8mm BOROSILICATE WITH ANTI-STICK COATING



SCALE: 1:1 @ A3

THIRD ANGLE PROJECTION

DESCRIPTION:	ORCA OR20 / OR48CC SM
MATERIAL:	MARINE AB2 BRONZE & GLASS LENS
FINISH:	SEE PART DRAWINGS
DRAWING NO.:	GAA-0140 Iss C00C
ISSUE/REV.:	STATUS:
	C00 C

Bluefin LED
Underwater Lighting

Bluefin LED is a registered trademark of Bluefin LED. All rights reserved. No part of this drawing is to be reproduced, stored in a retrieval system, or transmitted in any form or by any means, electronic, mechanical, photocopying, recording, or by any information storage and retrieval system, without the prior written permission of Bluefin LED. No deviation from this drawing is authorized without the written permission of Bluefin LED.