

MANTA RAY MR48 CC | THRU HULL

Signature
 SERIES



MANTA RAY MR48 CC offers formidable performance with the added security of a thru-hull stem fitting.

RGBW Colour Change model offers almost endless colour combinations, WIFI DMX functionality, strobe, dimming and unique sound to light feature.

Machined from Billet AB2 Marine grade Bronze.

Suitable for Transom mounting on all hull types.

External driver (with interlink cable supplied) in driver technology with active thermal rollback.

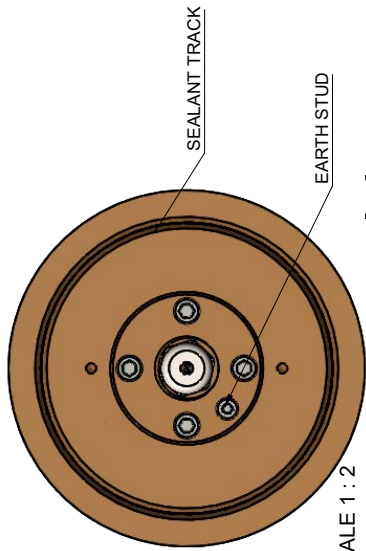
- RINA Type approval
- 2-Year Warranty

SPECIFICATION	MANTA RAY MR48 CC COLOUR CHANGE
Mounting Type	Thru Hull
Hole cut out size	30mm
Maximum Lamp Lumens	15,000
Fixture Lumens	12,000
Max Wattage	155 Watts
Typical Life Expectancy	50,000 Hours
Voltage	24v
Power Draw	6.5 amps
Protection	Over / Under Voltage, Over Current, Reverse Polarity protection, Thermal protection.
Fixture Profile	32mm
Fixture Diameter	140mm
Lens Type	Optical grade 8mm Borosilicate glass with Guard X coating
Fixture Material	AB2 Bronze
Beam Angle	65 Degree FWHM
Warranty	2 year
Type Approval	RINA IEC 60529
Available Colours	RGBW Colour change
Features	Endless colours, cycling, strobe, dimmer or sound to light
Suitable Use	Below the water-line only
Spacing	1.2 - 2mtr
Driver Type	External IP67 Plug and play remote box with DMX/WIFI control Must purchase the WIFI/DMX Controller for functions
Total weight	2.7kg
Attached cable length	1.8mtr Plug & play
Included in box	In-line fuse holder & rated fuse, Gel connector, Inline Crimps, Heat shrink, Fixing Screws, Template and installation instructions
ACCESSORIES	(OPTIONAL)
Junction Box	4 Way IP68 Wiring Junction Box
Delrin Sleeve	Isolating kit for steel, aluminium and carbon fibre hulls
220/110v Power Supply	Power supply 24v for up to 5 lights
WIFI/DMX Controller	DMX controller with built in WIFI and phone/tablet app download
I.Y.S Lighting Control	Control via MFD screen or mobile device

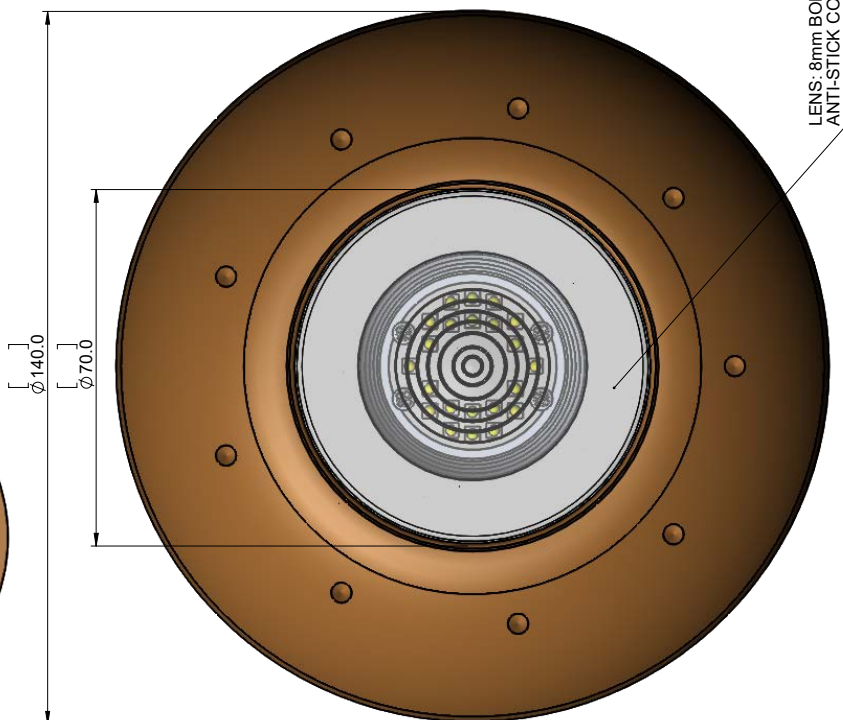


1 2 3 4 5 6 7 8

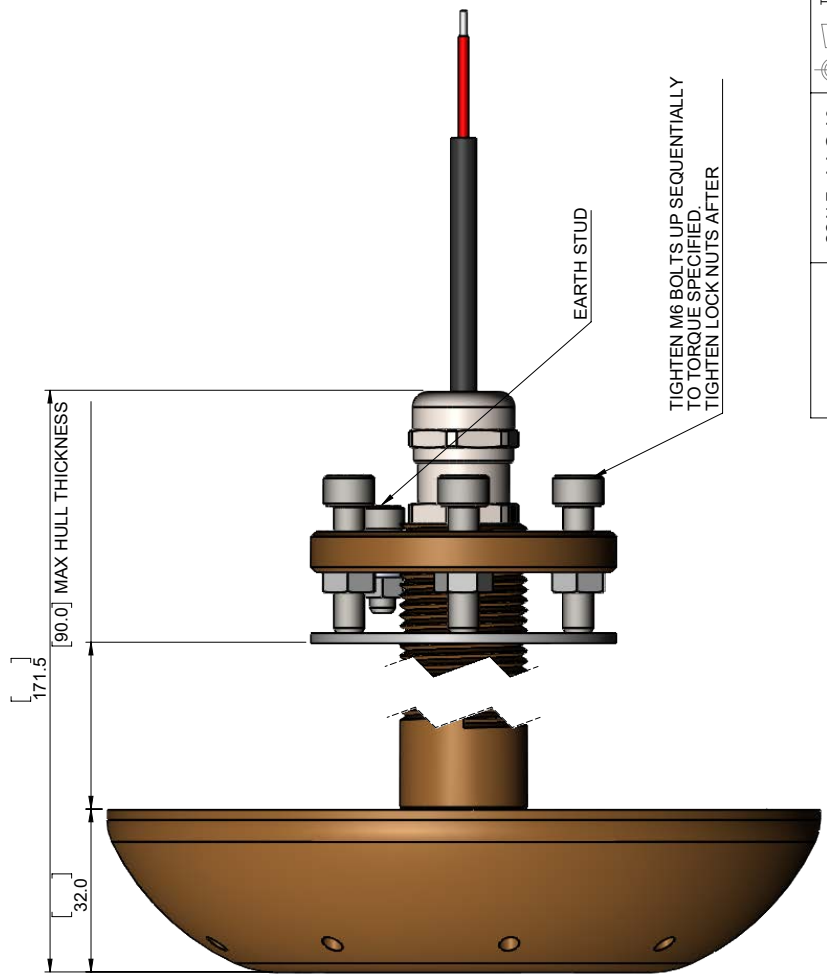
A B C D E F G H I J K



SCALE 1:2



SPECIFICATIONS	
FIXTURE LUMENS	MANTA RAY M20 14600
WATTAGE (MAX)	MANTA RAY M48 CC 12000
No. OF LEDs	155
I @ 12V	48
I @ 24V	N/A
BEAM ANGLE	6.5
LIGHT DIA	65 DEG FWHM
LIGHT LENGTH	140mm (5.5')
LIGHT HEAD HEIGHT	208.5mm (8.21')
MOUNTING HOLES PCD	32mm (1.26")
HULL CUTOUT DIA	N/A
LIGHT APERTURE	30mm (1.18")
WEIGHT	70mm (2.76")
LENS	2.7kg
	8mm BOROSILICATE WITH ANTI-STICK COATING
	8mm BOROSILICATE WITH ANTI-STICK COATING



SCALE: 1:1 @ A3

THIRD ANGLE PROJECTION

DESCRIPTION:	MANTA RAY MR20 / MR48CC THRU HULL
MATERIAL:	MARINE AB2 BRONZE & GLASS LENS
FINISH:	SEE PART DRAWINGS
DRAWING No:	GAA-0141 Iss B00C
ISSUE/ REV:	STATUS:
	B00 C

Bluefin LED
Underwater Lighting

THIS DRAWING IS THE PROPERTY OF BLUEFIN LED. IT IS TO BE USED ONLY FOR THE PURPOSES SPECIFIED IN THE TITLE AND MAY NOT BE REPRODUCED OR TRANSMITTED IN ANY FORM OR BY ANY MEANS, ELECTRONIC OR MECHANICAL, INCLUDING PHOTOCOPYING, RECORDING, OR BY ANY INFORMATION STORAGE AND RETRIEVAL SYSTEM. WITHOUT THE WRITTEN AUTHORIZATION OF BLUEFIN LED, NO DEVIATION FROM THIS DRAWING IS PERMISSIBLE WITHOUT WRITTEN AUTHORIZATION FROM BLUEFIN LED.