

SY ELITE SERIES | THRU-HULL INTERCHANGEABLE

SUPERYACHT ELITE
 — SERIES —



The Elite Series SY48 IFM produces 22000 fixture lumens.

Almost unlimited mounting options thanks to its ultra-low profile bezel.

Thru Hull mounting offers secure fixing with the additional benefit of a removable LED cartridge that can be serviced inside the hull.

Available in single colour white or blue, or RGBW Colour Change model with full WIFI DMX compatibility.

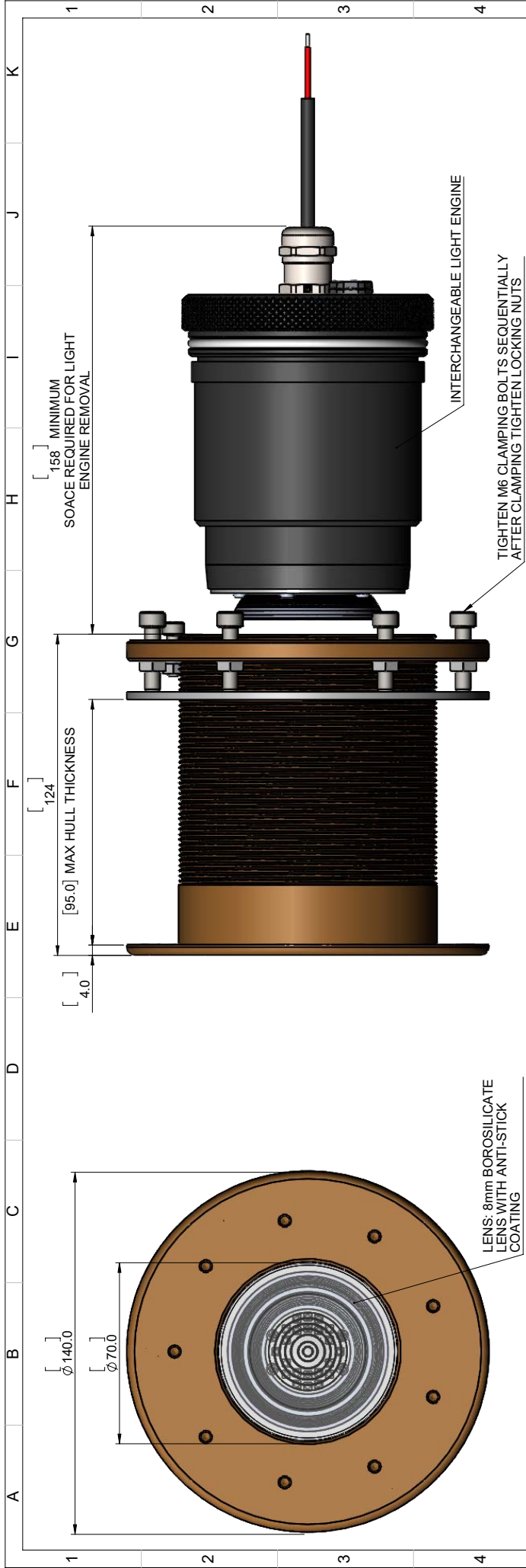
RGBW Colour Change model can be controlled via our dedicated touchpad controller/I.Y.S System or via a 3rd party device such as i phone, android or tablet, alternatively the lights can be integrated into the yachts existing control system.

Delrin isolation sleeve must be used on Steel, Aluminium or Carbon composite hulls.

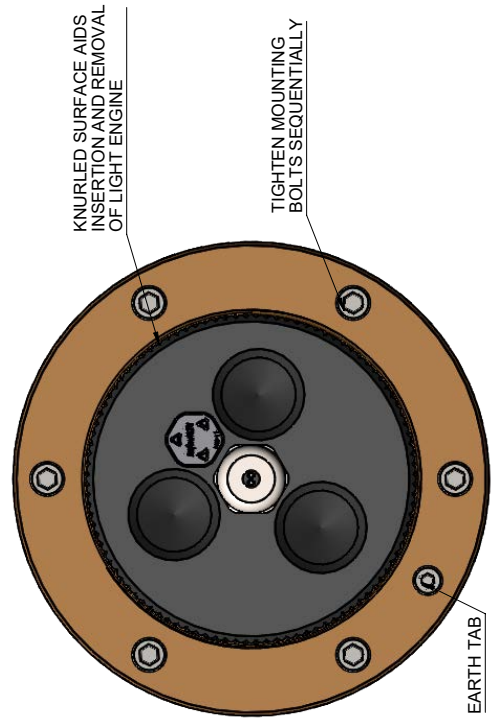
- RINA Type approval
- 2-Year Warranty

SPECIFICATION	SUPERYACHT ELITE INTERCHANGEABLE SERIES
Mounting Type	Thru-Hull Interchangeable
Hole cut out size	101mm
Fixture Lumens	22,000
Max Wattage	210 Watts
Typical Life Expectancy	50,000 hours
Voltage	110 / 220v
Power Draw	1.8 amp @ 110v / 1 amp @ 220v
Protection	Over / Under Voltage, Over Current, Reverse Polarity protection, Thermal protection. MLST Sealing technology
Fixture Profile	4mm
Fixture Diameter	140mm
Fixture Length	170mm
Lens Type	Optical grade 8mm Borosilicate glass with Guard X coating
Fixture Material	AB2 Bronze with aluminium light engine cartridge
Beam Angle	65 Degree
Warranty	2 year
Type Approval	RINA IEC 60529
Available Colours	Diamond White 6500k Topax Blue RGBW
Features	Endless colours, cycling, strobe, dimmer or sound to light
Suitable Use	Below the water-line only
Spacing	1.2 - 2mtr
Driver Type	External IP67 Plug and play remote box with DMX/WIFI control Must purchase the WIFI/DMX Controller for functions
Total weight	5.2kg
Attached cable length	1.8mtr Plug & play
Included in box	In-line fuse holder & rated fuse, Gel connector, Inline Crimps, Heat shrink, Fixing Screws, Template and installation instructions
ACCESSORIES	(OPTIONAL)
Junction Box	4 Way IP68 Wiring Junction Box
Delrin Sleeve	Isolating kit for steel, aluminium and carbon fibre hulls
220/110v Power Supply	Power supply 24v for up to 5 lights
WIFI/DMX Controller	DMX controller with built in WIFI and phone/tablet app download
I.Y.S Lighting Control	Control via MFD screen or mobile device





SPECIFICATIONS			
LUMENS	GW IFM16 6600	GW IFM20 14500	GW IFM48CC 12000
WATTAGE (MAX)	90	122	155
No. OF LEDS	16	20	48
1 @ 12V	7.5	N/A	N/A
1 @ 24V	3.8	5.1	6.5
BEAM ANGLE	65 DEG FWHM	65 DEG FWHM	65 DEG FWHM
LIGHT DIA	140mm (5.5")	140mm (5.5")	140mm (5.5")
LIGHT LENGTH	164mm (6.46")	164mm (6.46")	164mm (6.46")
LIGHT HEAD HEIGHT	4mm (0.16")	4mm (0.16")	4mm (0.16")
MOUNTING HOLES	N/A	N/A	N/A
PCD	N/A	N/A	N/A
HULL CUTOUT DIA	101mm (4.00")	101mm (4.00")	101mm (4.00")
LIGHT APERTURE	70mm (2.76")	70mm (2.76")	70mm (2.76")
WEIGHT	5.2kg	5.2kg	5.2kg
LENS	8mm BOROSILICATE WITH ANTI-STICK COATING	8mm BOROSILICATE WITH ANTI-STICK COATING	8mm BOROSILICATE WITH ANTI-STICK COATING



SHEET: 1 OF 5 SCALE: 1:1.5 @ A3 THIRD ANGLE PROJECTION

DESCRIPTION: GREAT WHITE GW16 /20 /48CC THRU HULL

MATERIAL: MARINE AB2 BRONZE GLASS LENS & ALUMINIUM INSERT

FINISH: SEE PART DRAWINGS

DRAWING NO: **GAA-0105 Iss P00A** ISSUE/REV: STATUS: **P00 A**

Bluefin LED Underwater Lighting

Bluefin LED

Bluefin LED is a registered trademark of Bluefin LED. All rights reserved. No part of this document may be reproduced, stored in a retrieval system, or transmitted in any form or by any means, electronic, mechanical, photocopying, recording, or by any information storage and retrieval system, without the prior written permission of Bluefin LED. No deviation from this drawing is authorized without written authorization from Bluefin LED.